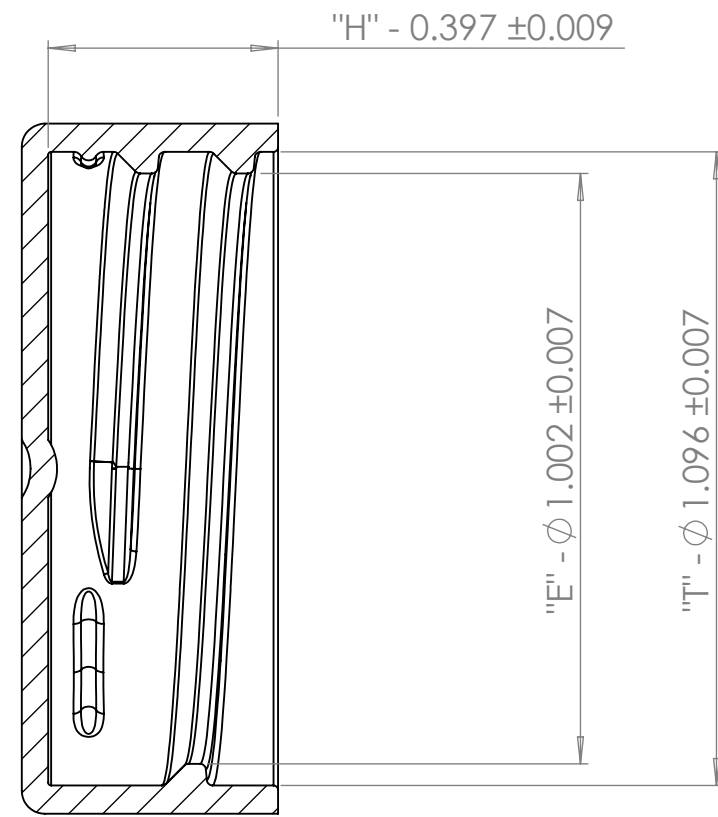
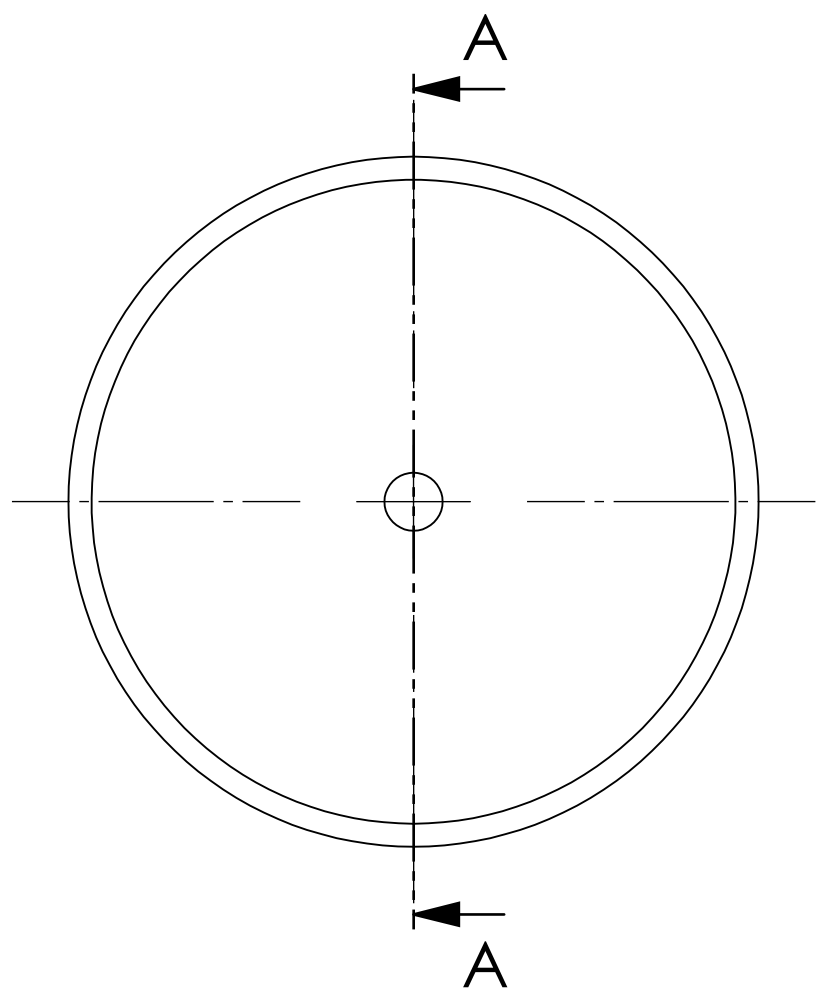


4

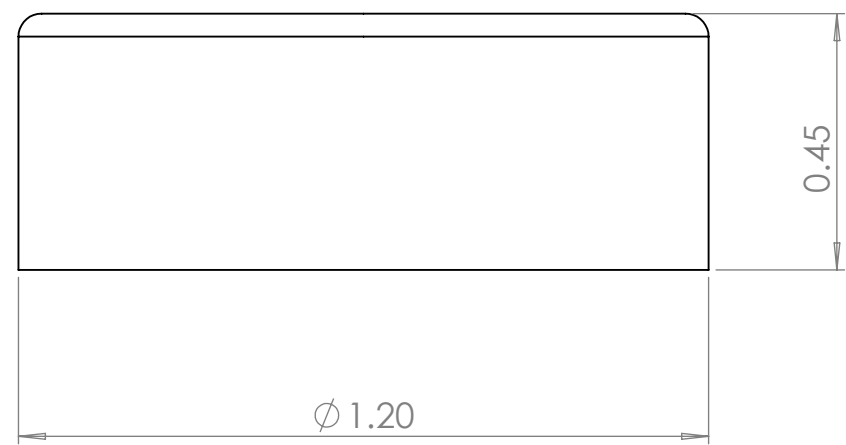
3

2

1

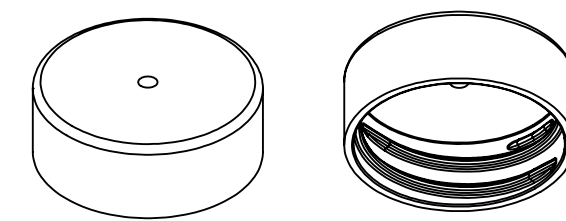


SECTION A-A



NOTE(S):

- 1. THREAD FORM - 28-400
- 2. PITCH - 0.167" (6 T.P.I.)
- 3. THREAD TURNS - 1.25



PROPRIETARY AND CONFIDENTIAL
 THE INFORMATION CONTAINED IN THIS DRAWING IS THE SOLE PROPERTY OF PHARMACY-LITE. ANY REPRODUCTION IN PART OR AS A WHOLE WITHOUT THE WRITTEN PERMISSION OF PHARMACY-LITE IS PROHIBITED.

UNLESS OTHERWISE SPECIFIED:		NAME	DATE
DIMENSIONS ARE IN INCHES		BC	11/12/25
TOLERANCES:			
FRACTIONAL ± 1/32			
ANGULAR: MACH ± 0.1°			
BEND ± 2.5°			
TWO PLACE DECIMAL ± 0.015			
THREE PLACE DECIMAL ± 0.005			
INTERPRET GEOMETRIC TOLERANCING PER:			
MATERIAL			
POLYPROPYLENE			
FINISH			
NEXT ASSY	USED ON		
APPLICATION			
DO NOT SCALE DRAWING			

DRAWN	BC	11/12/25
CHECKED		
ENG APPR.		
MFG APPR.		
Q.A.		
COMMENTS:		

PAC-LITE		
250 Warden Ave., Elyria, OH 44035 844-527-5483		
TITLE: 28mm-EZ NCR (SMOOTH) CAP		
SIZE	DWG. NO.	REV
C	EZ-28S NCR/P000CD	1
SCALE: 3:1	WEIGHT:	SHEET 1 OF 1

4

3

2

1

D

D

C

C

B

B

A

A